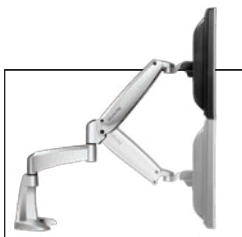


Workrite Poise™

Flat Panel Monitor Arm Supports



Parallel mechanism keeps screen ergonomically correct



Spans the deepest desk then folds down to just 4"



Increase productivity with dual monitor configurations



Tension guides are easy to read and adjust

Change the Way You See Your Work

A simple touch with your fingertip will easily change the position of the Workrite Poise while the monitor remains perfectly parallel.

Parallelogram Design—For Ease of Adjustment

The Workrite Poise monitor arm features a parallel linkage design with adjustable pneumatic counter balance that floats the monitor above the work surface.

Ergonomic User Flexibility

The Workrite Poise monitor arm adds a range of adjustment to meet users' need for visual acuity and individual user preference that is unmatched in the industry.

- 360° rotation at the mounting base and first extension allows folded storage as shallow as 4"
- 180° rotation at the monitor connection for positioning and collaboration
- 12" vertical height range to meet individual users height requirements
- Monitor rotates from portrait to landscape with rotary stops to prevent cable damage
- Monitor tilt of 180° (70° back and 90° forward) to support touch screen application and special needs for users with disabilities and reclined usage

Dual Screen Support

Dual arms best fit corner worksurfaces where mounting is located forward of the rear of the worksurface using the grommet mount to allow full articulation. The Poise-Dual is not recommended for straight work stations that require storage of the monitor against the wall.

Convenience Features

The Workrite Poise has several thoughtful features built in. Graphic indicators are molded into the arm to assist in adjustment long after the assembly instructions have gone away. The cable management system from the base to the monitor neatly organizes cables out of sight. Optional features include multiple mounting options as well as extension and quick release monitor bracket for installation flexibility.

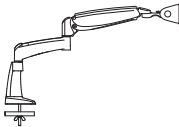
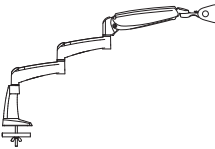
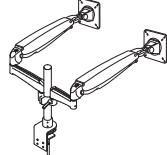
At Workrite we believe every body has a right to work comfortably and safely for maximum productivity. You can trust Workrite, as 75% of Fortune 100 companies have, for solutions that fit today's diverse range of workers.

Workrite Poise Flat Panel Monitor Arm Supports

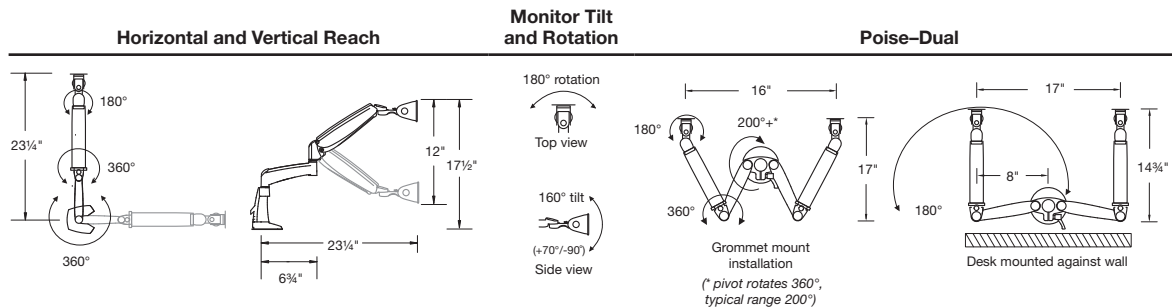
When adjustability, durability and visual comfort are key

With a 360° rotation, monitor can be changed quickly from landscape to portrait orientation. Workrite Poise will support monitor arms from seven to 22 lbs., including most common monitors from 17" to 24".

Specifications	Poise	Poise-Extended	Poise-Dual
Reach	23¼"	30¼"	23¼" (two arms)
Tilt Range	160° tilt range (+70°/- 90°)	160° tilt range (+70°/- 90°)	160° tilt range (+70°/- 90°)
Height Range	12"	12"	12" + 7" on pole
Pivot at Base/Extension/Monitor	360°/360°/180°	360°/360°/180°	360°/360°/180°
Stored Depth	4"	4"	4"
75mm / 100mm VESA Mount	X	X	X
Accessories	Quick Release Adaptor, Extension Arm	Quick Release Adaptor	Quick Release Adaptor

	Mounting	Color	Model #	Type*	Weight	
 <p>Poise</p>	C-Clamp, Grommet mount (shown)	silver	PA1000-S	-1	12	
		graphite	PA1000-B	-1	12	
	Wall mount & other tool bar & panel systems †	silver	PA1000-WM-S	-1	11	
		graphite	PA1000-WM-B	-1	11	
	† NOTE: Must order panel system mount separately, see Pricing & Specification Guide					
	Slatwall bracket mount	silver	PA1000-SW-S	-1	11	
graphite		PA1000-SW-B	-1	11		
Sierra Tool bar & Privacy Panel	silver	PA1000-ST-S	-1	11		
	graphite	PA1000-ST-B	-1	11		
 <p>Poise-Extended</p>	C-Clamp, Grommet mount	silver	PA1500-DB-S	-1	13	
		graphite	PA1500-DB-B	-1	13	
 <p>Poise-Dual</p>	C-Clamp mount	silver	PA2000-C-S	-1	18	
		graphite	PA2000-C-B	-1	18	
	Grommet mount	silver	PA2000-G-S	-1	17	
		graphite	PA2000-G-B	-1	17	

* **NOTE:** Specify Type -1 for monitors weighing 7 lbs. to 15 lbs.
 -2 for monitors weighing 10 lbs. to 22 lbs.



©2008 Workrite Ergonomics. All referenced company and product names are trademarks, registered trademarks or copyrights of their respective holders.
 1400219-0209 Subject to change without notice.

Workrite Ergonomics, Inc.
 1450 Technology Lane,
 Petaluma, CA 94954
 www.workriteergo.com
 800.959.9675

Workrite
 ergonomics®